



Frameless Glazing



Ironmongery



Glass



Blinds



Doors



Installers



Design

K30 SG & K30 DG

A fully glazed, relocatable dry jointed frameless partitioning system, manufactured and tested to achieve class leading standards, in both single and double glazed

K30 GLASS

We at K30 Glass are market leaders in the supply and installation of frameless glazed partitioning systems.

Construction

Modular components and door frames are pre machined for ease and speed of on site erection.

Elevations

The glazed elevations are constructed from minimal aluminium framework to enhance the clear seamless lines of the product. Both 10mm and 12mm glass is standard with thicker glass sizes capable of incorporation to meet higher performance standards.

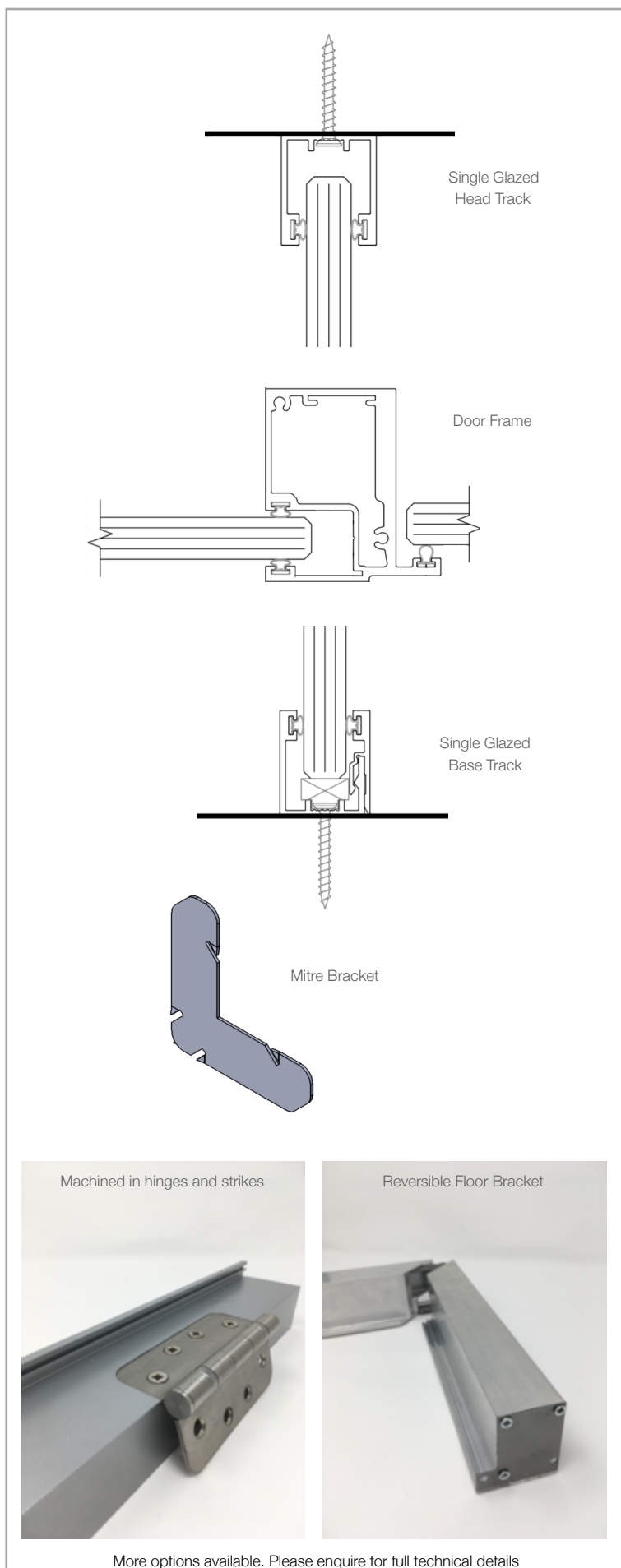
Single and double glazed systems are available and blinds can be incorporated within the double glazed modules.

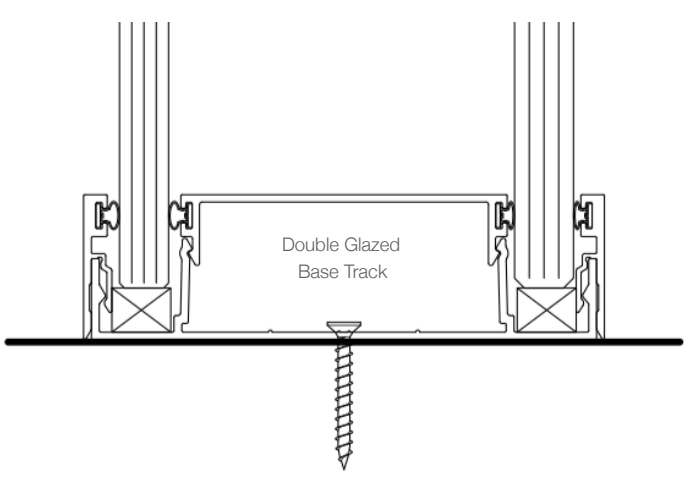
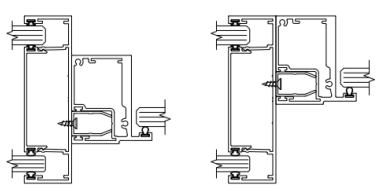
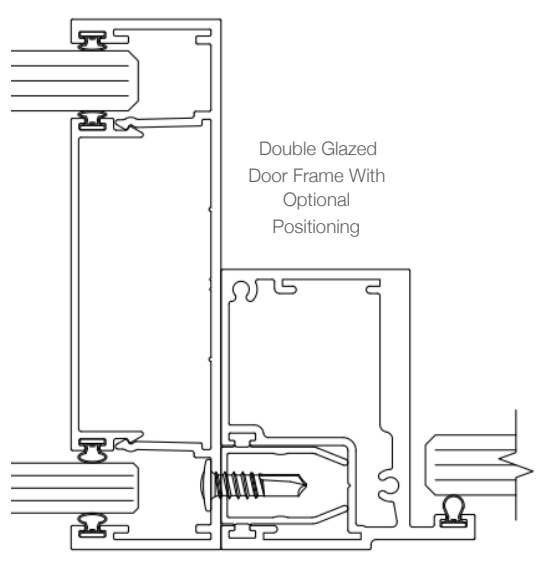
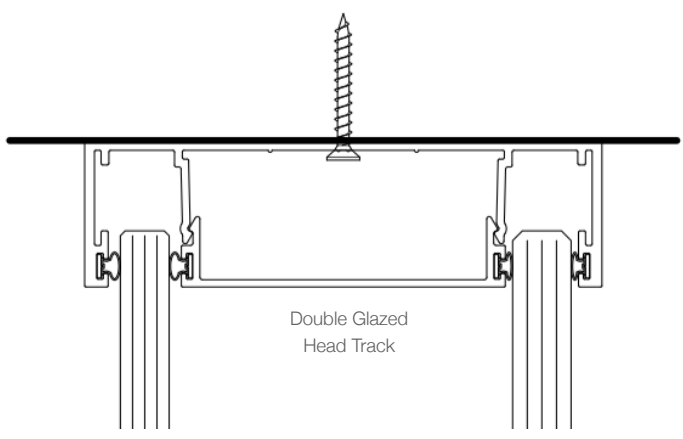
Aluminium

Sections are extruded from material grade 6063 in T6 condition conforming to BS EN 755-9. Polyester powder coating to a thickness of 40/60 microns. White (RAL 9010 30%), silver (RAL 9006 30%) and black (RAL 9005 30%) are held in stock with other RAL and BS finishes available on request.

Frames and Doors

Frames for hinged doors can be aluminium or hardwood and can accommodate cellular or solid core doors 44mm thick in varying sizes. Up to 54mm doors can be accommodated. Fully glazed hinged doors both non-fire and fire resistant are also available.





More options available. Please enquire for full technical details

Glass

Specialist safety glass has been tested within the system in various thickness to ensure the highest standards of sound and fire performance along with excellent structural stability.

Performance

Our products have had independent tests and assessments conducted in virtually all conceivable configurations of our partitioning systems. A catalogue of information using over 50 tests covering fire, sound and structural performance, has enabled assessment of most client and statutory performance requirements.

Our innovative performance systems have been developed and tested in conjunction with industry leading organisations such as Airo Acoustical Research, The Building Test Centre, International Fire Consultants, Warrington Fire Research and Salford University.

Continual Development

We are committed to continual product development. With further products already in the final stages of development and more to follow. You can rest assured that we will always be at the forefront of product innovation.

PERFORMANCE DATA

Acoustic	Glass	Rating
Single Glazed	10.0mm toughened	35 dB Rw
Single Glazed	10.8mm laminated	36 dB Rw
Single Glazed	12.0mm toughened	36 dB Rw
Single Glazed	12.8mm laminated	37 dB Rw
Double Glazed	10.0mm + 10.0mm toughened	42 dB Rw
Double Glazed	10.0mm toughened + 10.8mm laminated	45 dB Rw
Double Glazed	12.0mm toughened + 10.8mm laminated	47 dB Rw
<i>Use of specialist acoustic glass is expected to enhance the above performance by 3 dB Rw</i>		

Structural (10.0mm)	Test BTC 16090S	10.0mm toughened	2750mm High
Annex A	Stiffness	Pass	Medium Duty
Annex C	Impact Soft Body	Pass	Severe Duty
Annex E	Multiple Impact	Pass	Severe Duty
Annex G	Crowd Pressure	1.5 KN/m	23.9 Deflection

Structural (12.0mm)	Test BTC 16089S	12.0mm toughened	3050mm High
Annex A	Stiffness	Pass	Heavy Duty
Annex C	Impact Soft Body	Pass	Severe Duty
Annex E	Multiple Impact	Pass	Severe Duty
Annex G	Crowd Pressure	1.5 KN/m	19.7 Deflection

Fire	Glass	Rating
Single Glazed	K30 Fire Glass	30 minutes
Double Glazed	K30 Fire Glass & 10-12mm Toughened	30 minutes

Improved results can be achieved using differing types of glass. Calculations and self assessments required. The information provided must be read alongside the detailed designer manual and relevant construction drawings.